

Three-phase RC units.
RC trifase

Technical Specifications:

Manufacture

Plastic case and cover, internal components sealed with self-extinguishing resin Vo

Connections

Three flexible leads with forked spade terminals

Caratteristiche tecniche:

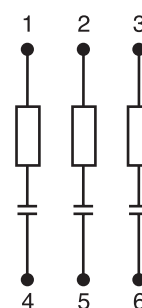
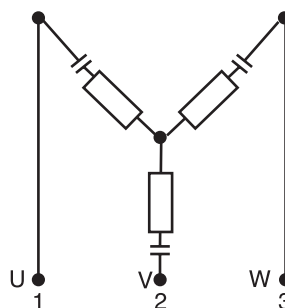
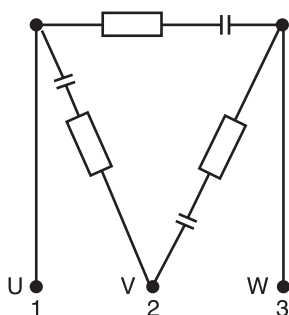
Costruzione

Custodia plastica, componenti interni sigillati con resina autoestinguente Vo

Terminali

Tre cavi flessibili con forcina

Circuit diagram



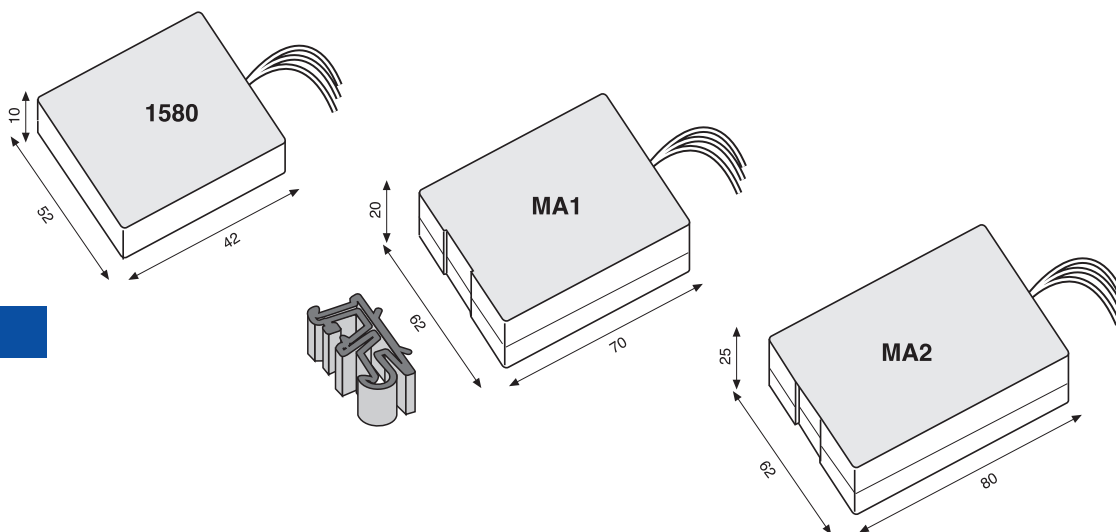
Rated voltage	3 Phase power	Values	Dim.	Code	Values	Dim.	Code	Values	Dim.	Code
3 x 400 Vca	4 KW	0.22µF + 220Ω	MA1	R101.3	0.22µF + 220Ω	MA1	R101.2	0.22µF + 220Ω		R101.11
	4 KW							0.22µF + 220Ω		R101.2/SF6
	10 KW	0.47µF + 220Ω	MA2	R101.4				0.47µF + 220Ω		R101.12

Rated voltage	3 Phase power	Values	Dim.	Code	Values	Dim.	Code	Values	Dim.	Code
3 x 575 Vca	4 KW	0.22µF + 22Ω	MA1	R101.7	0.22µF + 220Ω	1580	R101.2.S			
	4 KW				0.22µF + 22Ω	MA1	R101.9			
	7.5 KW				0.47µF + 220Ω	MA2	R101.10			

Rated voltage	3 Phase power	Values	Dim.	Code	Values	Dim.	Code	Values	Dim.	Code
3 x 750 Vca	7.5 KW	0.22µF + 22Ω	MA2	R101.8						

Dimensions

For mounting in the switchgear of the motor with bi-adhesive



APPROVALS

