



Three-phase filter without neutral line.

Filtro rete trifase senza neutro

Technical Specifications:

Manufacture

Aluminum case, internal components sealed with UL94: V0 self-extinguishing resin Vo

Connections

Flexible cable

Caratteristiche tecniche:

Costruzione

Custodia di alluminio, componenti interni sigillati con resina autoestinguente UL94: Vo

Terminali

Cavo flessibile

Electrical specifications:

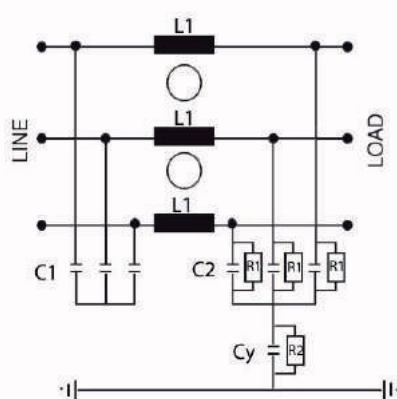
Rated voltage (Vr)	0/480Vac at 50/60Hz
Rated current (Ir)*	referred to room temp.= 40°C
Leakage current (IL)	≤ 33 mA
Voltage test (2s.)	line to ground 3000 Vdc or 1800 Vac line to line 1700 Vdc
Climatic category	HPF (25/085/21) -25°C to +85°C

Caratteristiche elettriche:

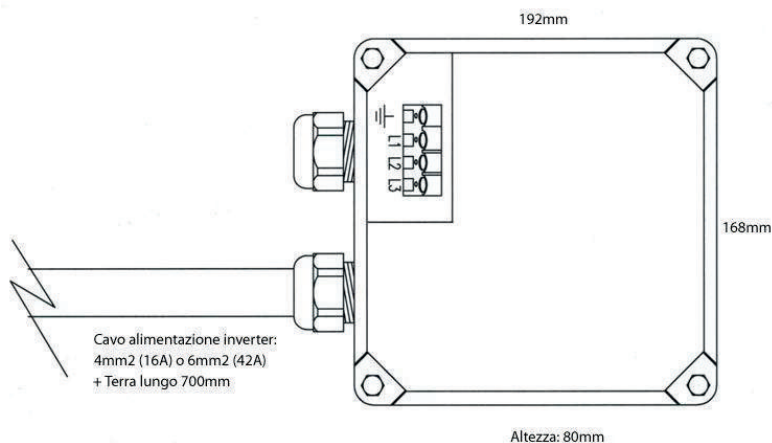
Tensione nominale (Vr)	0/480Vac a 50/60Hz
Corrente nominale (Ir)*	riferita ad una temp.di 40°C
Corrente di fuga (IL)	≤ 33 mA
Tensione di prova (2s.)	linea e massa 3000 Vdc o 1800 Vac linea e linea 1700 Vdc
Categoria climatica	HPF (25/085/21) -25°C to +85°C

Code	IR(A)*	Cx1(µF)	Cx2(µF)	Cy1(µF)	Cy2(µF)	L1(mH)	R1=MΩ	R2=MΩ	Connections
AR2300.16A-IP	16	2.2	2.2	2.2	0.047	1.8	0.47	0.68	6 mm ²
AR2300.42A-IP	42	4.4	2.2	2.2	0.047	1	0.47	0.68	6 mm ²

Circuit diagram



Dimensions



APPROVALS

